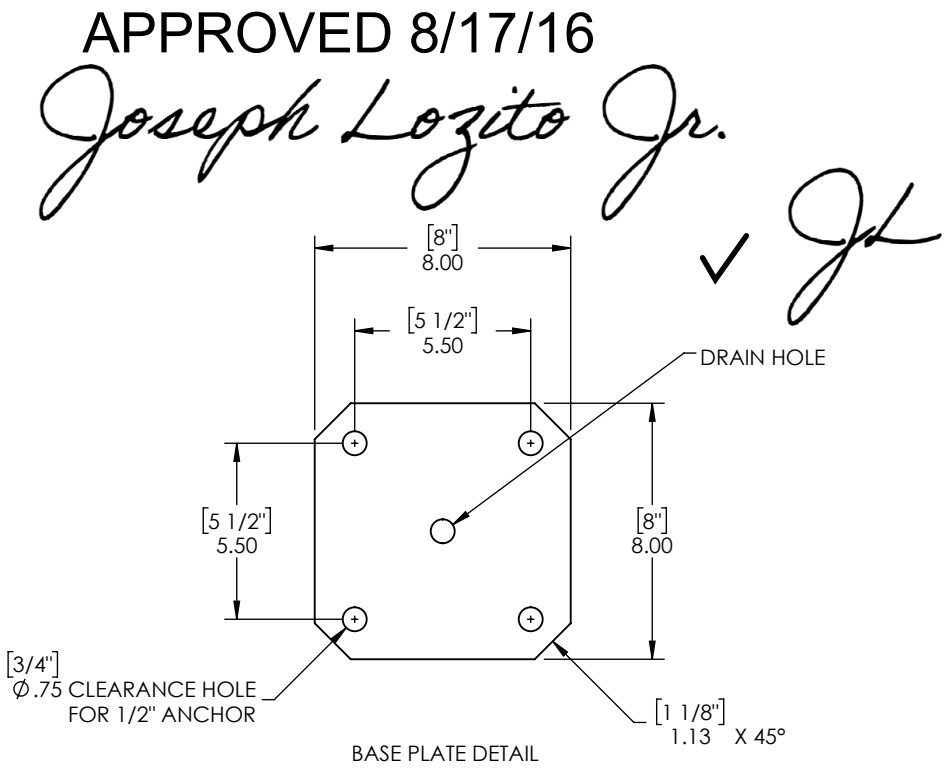
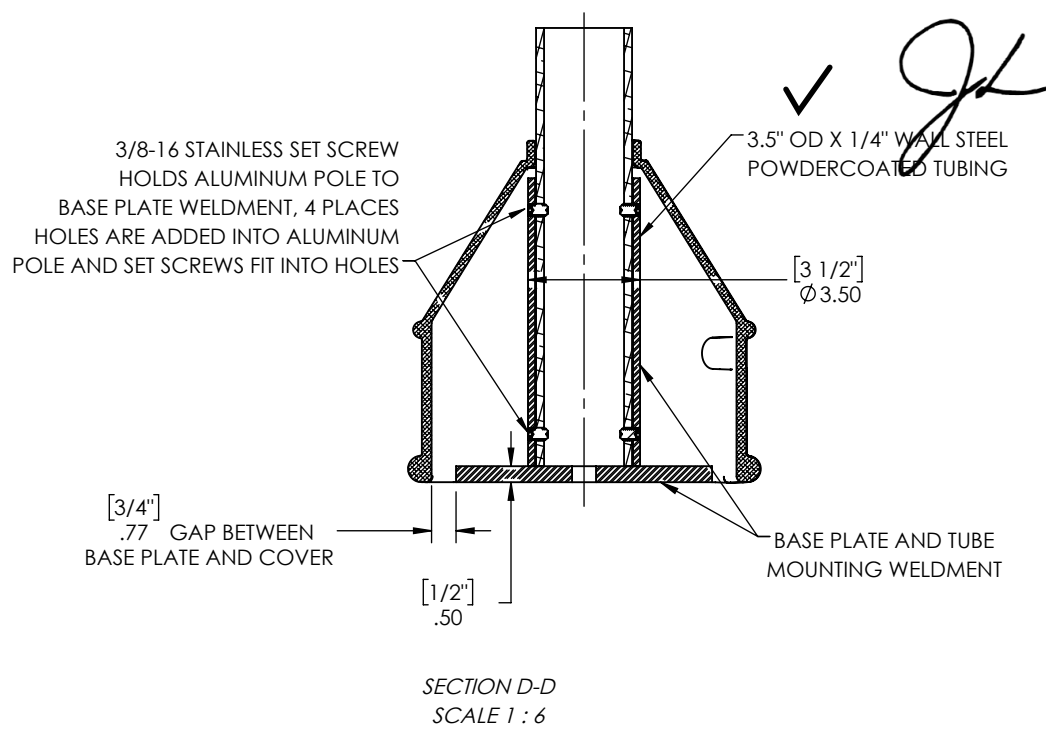
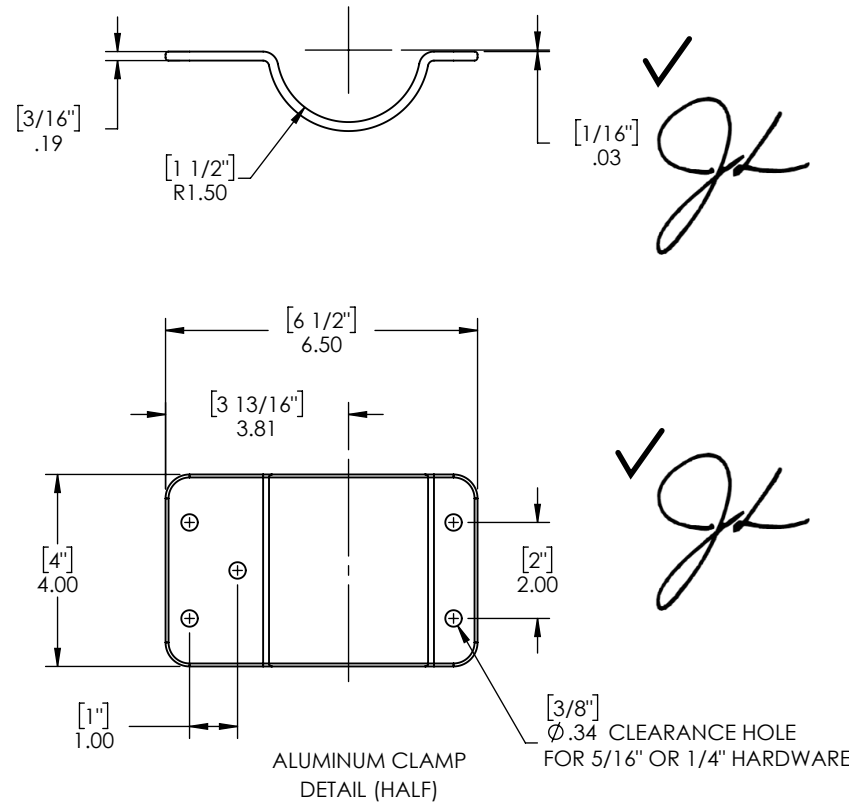
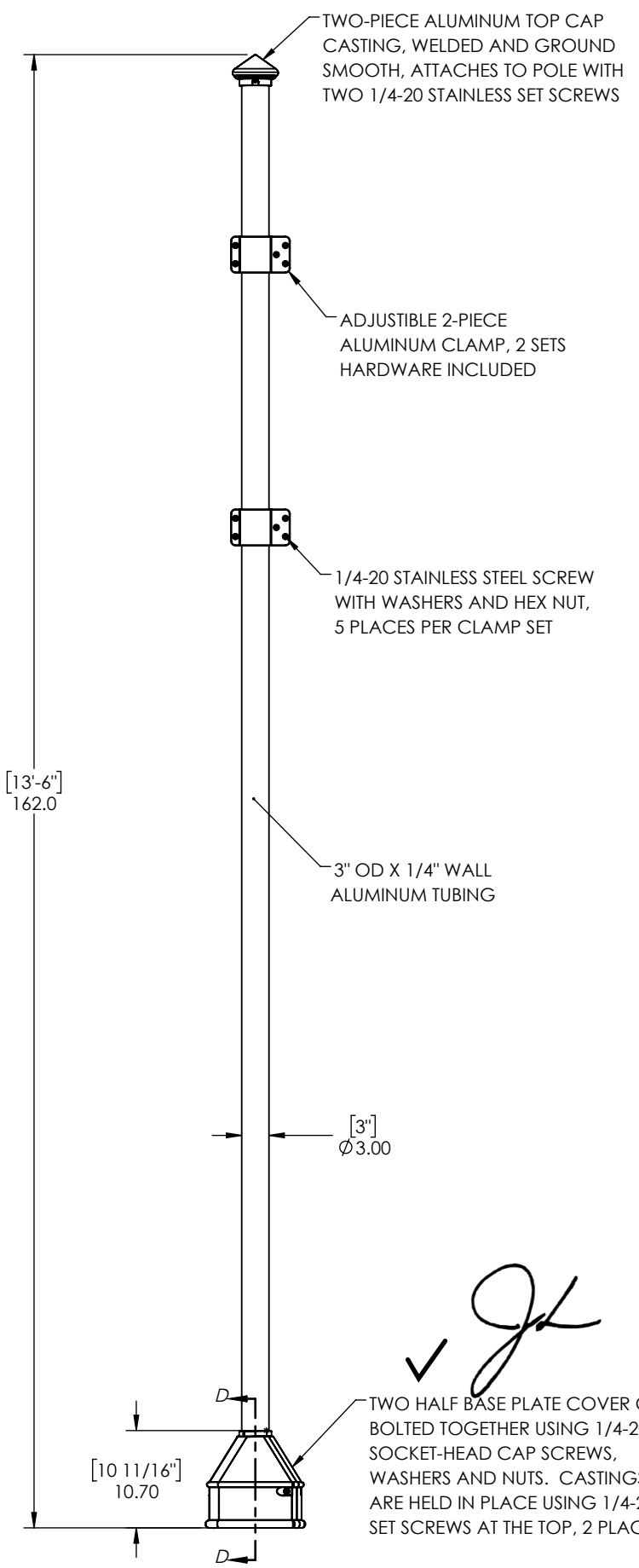


_____ APPROVED
 _____ REVISE AND RESUBMIT
 _____ REJECTED
 COMMENTS MADE ON THESE SUBMITTALS ARE FOR INFORMATION ONLY. ANY CHANGES REQUIRE RE-SUBMITTAL AND APPROVAL. CUSTOMER IS RESPONSIBLE FOR CONFIRMING ALL QUANTITIES, DIMENSIONS, AND INSTALLATION TECHNIQUES.
 landscapeforms®
 BY: _____ DATE: _____



STUDIO431
 landscapeforms®
 431 LAWDALE AVE. P 800.430.6209
 KALAMAZOO, MI 49048 P 800.521.2546
 USA landscapeforms.com
 CONFIDENTIAL DRAWING INFORMATION CONTAINED HEREIN IS THE PROPERTY OF LANDSCAPEFORMS. INTENDED USE IS LIMITED TO DESIGN PROFESSIONALS SPECIFYING LANDSCAPEFORMS PRODUCTS AND THEIR DIRECT CLIENTS. DRAWING IS NOT TO BE COPIED OR DISCLOSED TO OTHERS WITHOUT THE CONSENT OF LANDSCAPEFORMS

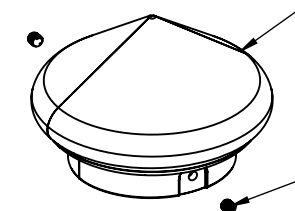
TITLE: GARMENT DISTRICT ALLIANCE PARKING SIGNAGE POLES		SCALE: 1:18
PROJECT: GARMENT DISTRICT ALLIANCE		AUTHOR: JCSJCS
FILE NAME: CUS_SF2241-001	UNIT OF MEASURE: INCHES [FEET & INCHES]	SHEET: 1 OF 2
DRAWING CREATED: Monday, July 18, 2016 4:19:33 PM DRAWING REVISION: 2 DATE REVISED: 8/17/16		

_____ APPROVED
 _____ REVISE AND RESUBMIT
 _____ REJECTED
 COMMENTS MADE ON THESE SUBMITTALS ARE FOR INFORMATION ONLY. ANY CHANGES REQUIRE RE-SUBMITTAL AND APPROVAL. CUSTOMER IS RESPONSIBLE FOR CONFIRMING ALL QUANTITIES, DIMENSIONS, AND INSTALLATION TECHNIQUES.
 landscapeforms®
 BY: _____ DATE: _____

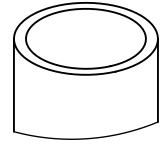
APPROVED 8/17/16

Joseph Lozito Jr.

TOP CAP CASTING
TWO HALVES WELDED TOGETHER



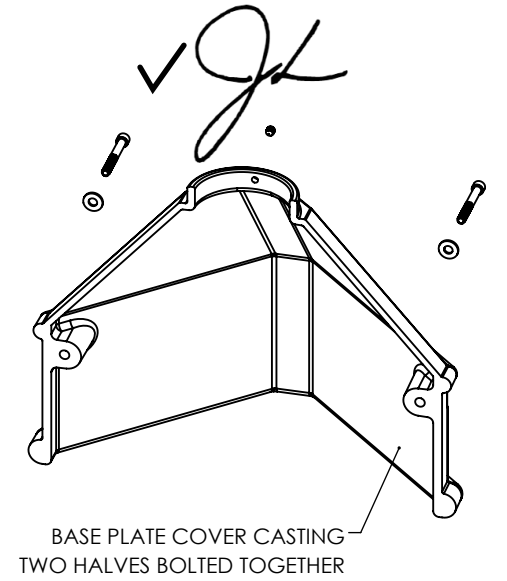
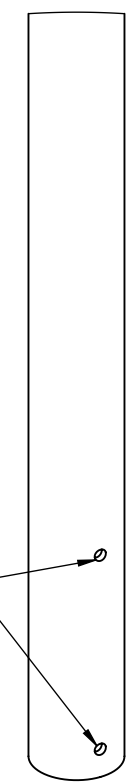
SET SCREW HOLDS
CAP TO POLE
2 PLACES



DETAIL C
SCALE 1 : 4

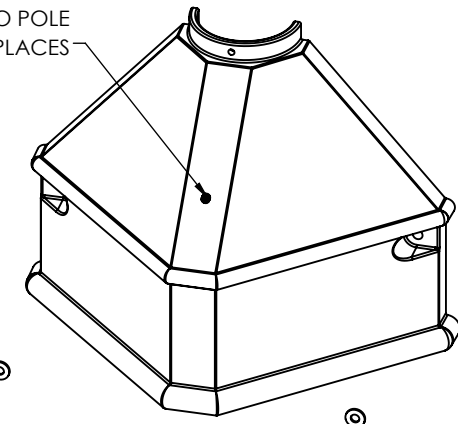
JL

HOLE IN ALUMINUM POLE
FOR BASE PLATE WELDMENT
ATTACHMENT, BOTH SIDES
4 PLACES



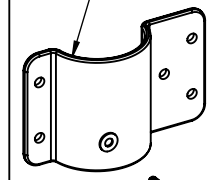
BASE PLATE COVER CASTING
TWO HALVES BOLTED TOGETHER

SET SCREW HOLDS
BASE PLATE COVER
CASTING TO POLE
2 PLACES



JL

2-PIECE ALUMINUM CLAMP

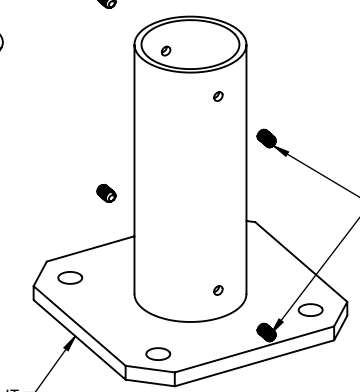


SIGN CLAMPING HARDWARE



DETAIL B
SCALE 1 : 6

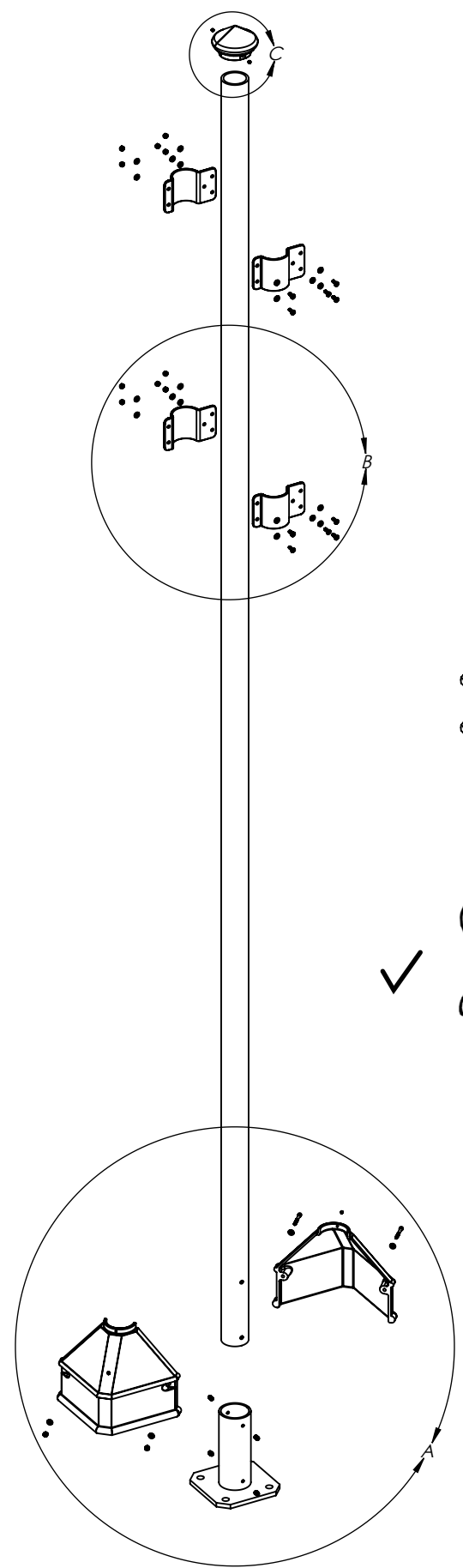
4X 3/8-16 SET SCREWS



BASE PLATE WELDMENT

DETAIL A
SCALE 1 : 6

- NOTE:**
1. LANDSCAPEFORMS' PANGARD II E-COAT AND POWDERCOAT FINISH. COLOR: TBD
 2. ALL FASTENERS/HARDWARE TO BE STAINLESS STEEL OR MAGNI-COAT.
 3. NON-CORROSIVE ANCHORING HARDWARE SUPPLIED BY OTHERS.



EXPLODED VIEW

STUDIO431
landscapeforms®

431 LAWDALE AVE. P 800.430.6209
KALAMAZOO, MI 49048 P 800.521.2546
USA landscapeforms.com

CONFIDENTIAL DRAWING INFORMATION CONTAINED HEREIN IS THE PROPERTY OF LANDSCAPEFORMS. INTENDED USE IS LIMITED TO DESIGN PROFESSIONALS SPECIFYING LANDSCAPEFORMS PRODUCTS AND THEIR DIRECT CLIENTS. DRAWING IS NOT TO BE COPIED OR DISCLOSED TO OTHERS WITHOUT THE CONSENT OF LANDSCAPEFORMS

TITLE: GARMENT DISTRICT ALLIANCE PARKING SIGNAGE POLES		SCALE: 1:18
PROJECT: GARMENT DISTRICT ALLIANCE		AUTHOR: JCSJCS
FILE NAME: CUS_SF2241-001	UNIT OF MEASURE: INCHES [FEET & INCHES]	SHEET: 2 OF 2
DRAWING CREATED: Monday, July 18, 2016 4:19:33 PM DRAWING REVISION: 2 DATE REVISED: 8/17/16		